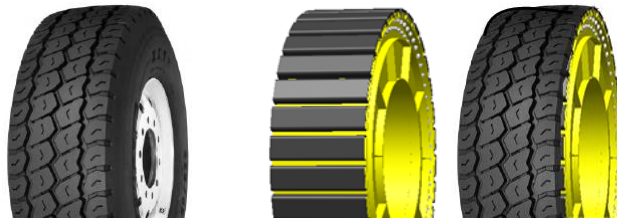


Municipal Dry Waste Truck and Equipment Tire Replacement with Steel Air Suspension Wheel (ASW)

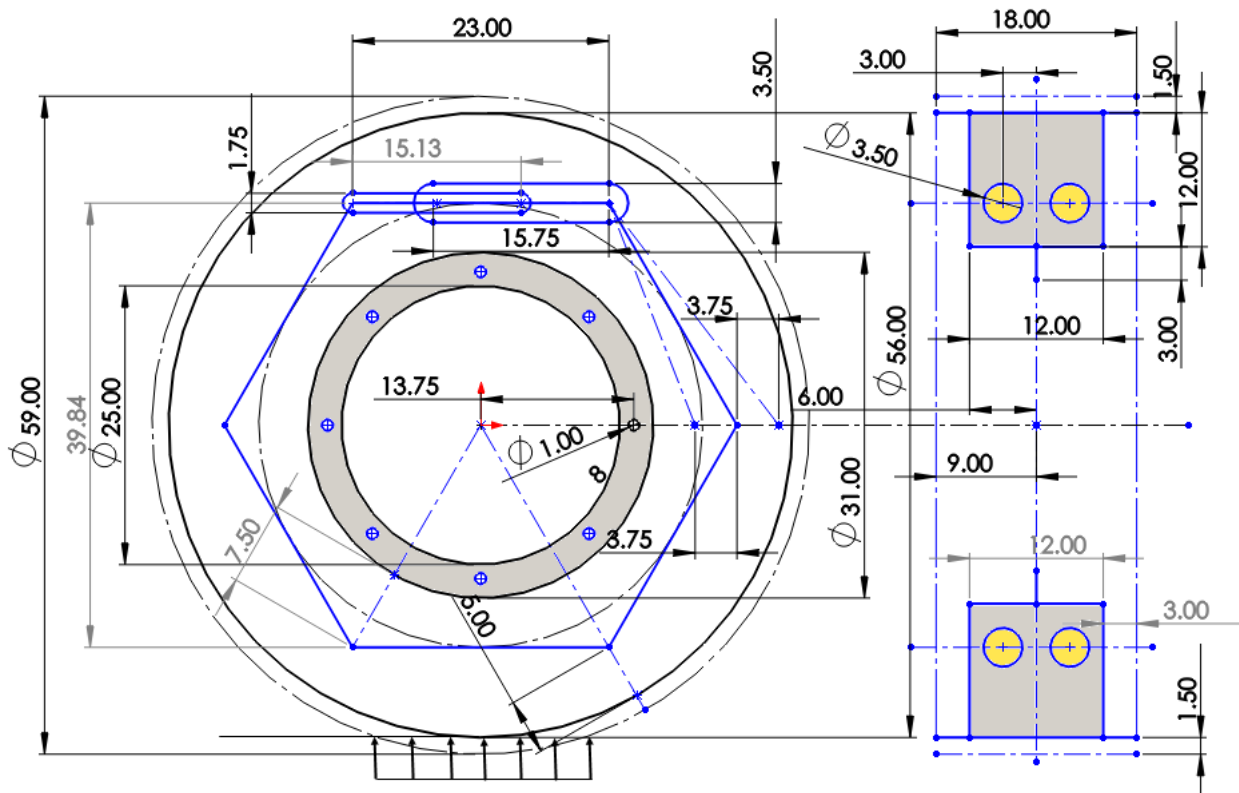
Approved inflated rubber tire sizes (1" = 25.4 mm):

- Standard: driving type 15,5 - 25
- Optional: 455/70 R24 radial
- Optional: 15,5 R25 radial
- Optional: 17,5 R25 radial
- Optional: 17,5 - 25



Replacement steel tire size: 18/75 - 31 GACW ASW SKU 181625 (replaces all listed above)

Basic ASW Geometry (in inches):



Overall wheel diameter (OD) = 59" (Chord 56"  $\phi$  OD), Rim internal diameter (ID) = 31"  $\phi$   
 Section width = 18" (matches the inflated un-bulged width of the inflated rubber tire it replaces)  
 Section height = 13.5" with tread, 12" without, setback 3"  
 Box section = 12" x 12" (doughnut shape)  
 Tread depth = 1.5" (mud flow across design) treads are secured to chord by 5/8"  $\phi$  HS bolts 4x/treads  
 Treads = 5.75" x 1.5" @ 12° (30x), Steel (lasts 4 years plus), Hard Urethane covered (lasts 2 years plus)  
 Mounting = 7/8" bolts 8x @ 27.5" BC (adaptable to any hub size and bolting pattern with adapter ring)  
 Cylinders = 3" bore, 1.75" rod, 7.5" stroke, 23" mid-stroke-set length (12x), 5" chord arms, 7.5" rim arms  
 Wheel loads = 2 tons static, 4 tons dynamic, rated to match equipment rated load (1.6 t/ft<sup>2</sup> soil/road)